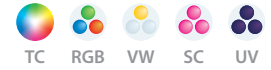


# PULSAR CHROMABATTEN 50 DATASHEET



CHROMABATTEN 50  
WITH OPTIONAL FLOOR STANDING FEET

50 Watts	24V DC	IP66	2.7 kg 5.9 lbs	+50°C to -20°C	+122°F to -4°F	
16 3W LEDs	100,000h Dynamic	25,000h Full On	5 LED Options	Custom Population	6 Lens Options	
+10V Input	Smooth Dimming	Flicker Free	Thermal Management	Chroma Zone Driven		
Single Yoke	Anodised Metalwork	Exterior Powder Paint	3 Paint Finishes	Custom Colours	5m ChromaFlex	16.4' ChromaFlex
UK Made	CE Marked	3 Year Guarantee				

## ChromaBatten 50 Series Luminaires

- Compact 50 Watt low voltage high output LED luminaire designed for architectural and entertainment applications.
- 16 high efficiency 3 Watt LEDs driven by Pulsar's advanced 100% flicker-free electronics for ultra smooth dimming and colour control.
- Choice of 5 LED populations, from single colour to our flagship TriColour colour mixing RGB technology.
- Available in Black, Silver and White paint finishes as standard, with custom colours available to special order.
- Integrated lens plates for beam angles of 8°, 25°, 45°, 10x35°, 10x90°, or 90° (No Lens).



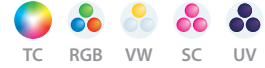
Featured products: ChromaBatten 50



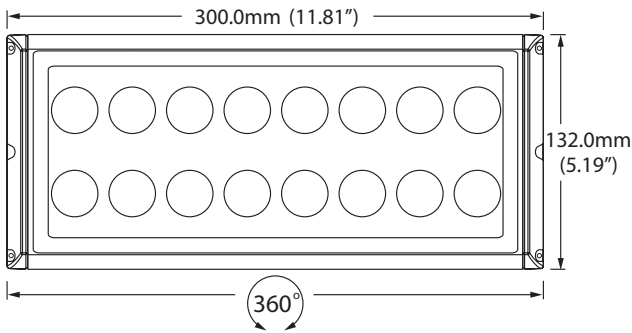
### Pulsar Light of Cambridge Ltd

3 Coldhams Business Park, Norman Way, Cambridge CB1 3LH  
www.pulsarlight.com | sales@pulsarlight.com | +44 (0) 1223 403 500

# PULSAR CHROMABATTEN 50 DATASHEET



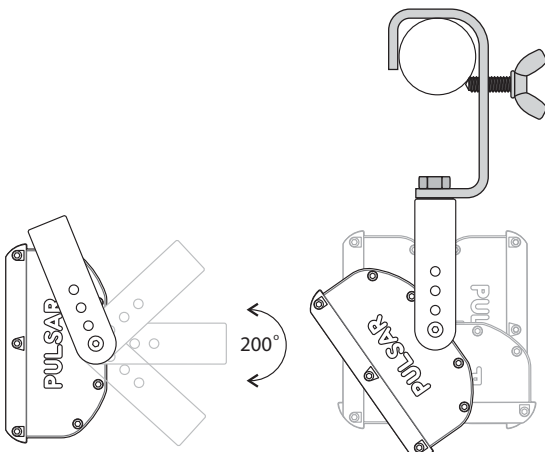
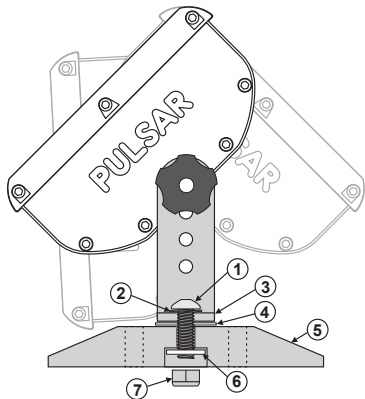
## CHROMA BATTEN50



**ChromaBatten50** - An Optional Floor kit is available from Pulsar, parts and assembly instructions are shown below. Please contact Pulsar for further details.

### CBAT FLOOR KIT ASSEMBLY INSTRUCTIONS (Pulsar Part - CBAT-SFK)

- 1) M8x25mm Button Head
- 2) M8 Crinkle washer
- 3) Handle
- 4) 1mm Thick Washer
- 5) Foot
- 6) M8 Nylon Washer
- 7) M8 Nyloc



### ChromaBatten50 Specification

50 Watt low voltage powered compact high output LED luminaire in a compact and elegant design using powder coated aluminium die-castings and extrusions. The units waterproof rating allows external projects to be catered for.

#### Beam Angles:

8,25,45,10x35, 10x90deg - 90deg (no lens).

**Power (all CBAT50s the same):** 1560mA @ 24V DC. 50 Mains Watts via ChromaZone.

**Weight - All models:** 2.4kg (5.3lb) inc cable.

**IP Rating:** IP66. See: Use in wet environments page 4.

**Connection:** In-Line WAGO socket terminating 5m (16ft) of ChromaFlex. Each ChromaBatten50 is also supplied with a colour coded WAGO socket and plug to make an extension lead and a shroud set (Pulsar part - 4456) fitted.

**Colour and Finish:** All aluminium parts are treated for corrosion resistance, the parts are then coated with a polyester paint. Standard colours are Black (B), White (W) and Silver (S).

Custom colours may be available for special order - please contact Pulsar for details.

**Light Output:** 1100 lumens with R,G,B @ 100%.

### OPTIONS

Product Code:	<b>CBAT50-FLT</b>
<b>F</b> - Body Finish:	B = Black, S = Silver, W = White
<b>B</b> - Beam Angle:	8, 25, 45, 90, 10x35, 10x90
<b>T</b> - LED Type:	TC=TriColour, [leave blank] = RGB = Red, Green, Blue VW = Variable White, SC = Single Colour, Mixed Colours
Accessories	CBAT50-SFK ChromaBatten Silver Floor Kit



**Pulsar Light of Cambridge Ltd**

3 Coldhams Business Park, Norman Way, Cambridge CB1 3LH  
www.pulsarlight.com | sales@pulsarlight.com | +44 (0) 1223 403 500

CHROMABATTEN 50 DATASHEET | 2  
ISSUE DATE | APRIL 2014